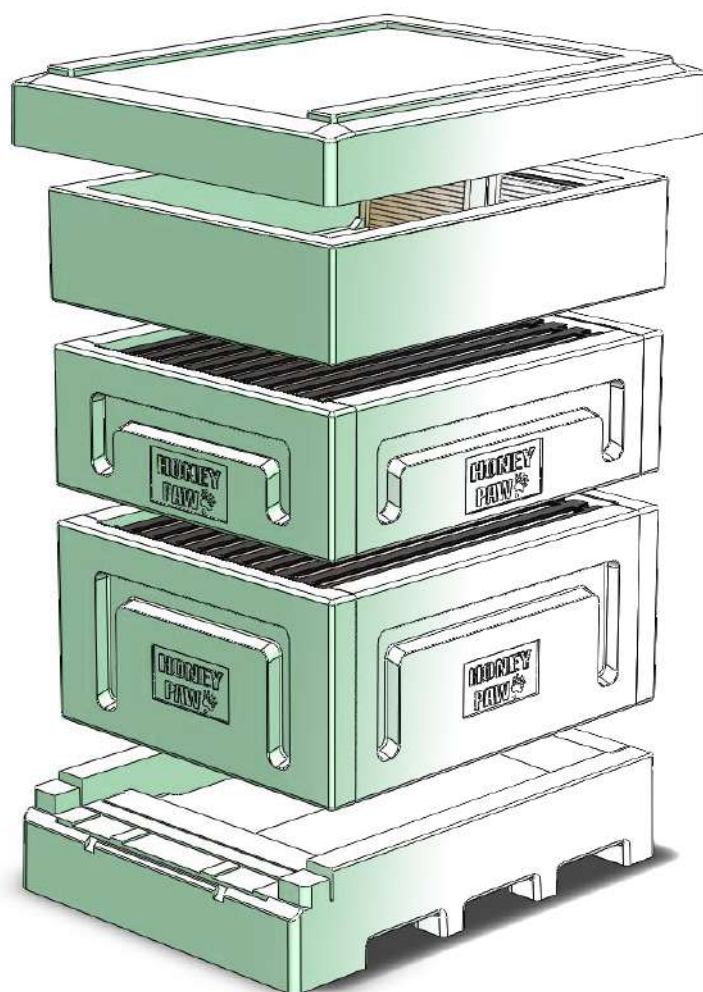


Instruction Manual

Honey Paw EPS products



Bodies ■ Roofs ■ Bottoms ■ Feeders ■ Pollen traps ■ Nucs

Wide range of different body size standards, all made of high quality EPS polystyrene.

Made in Finland, the design is a result of over 20 years of beekeeping.

www.honeypaw.fi

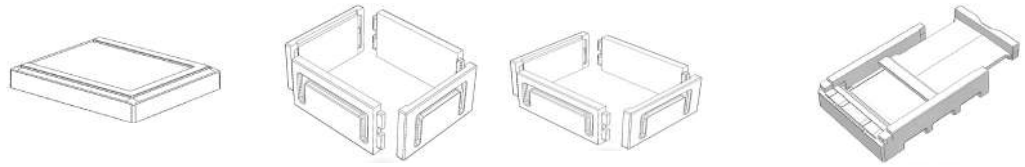


CONTENTS

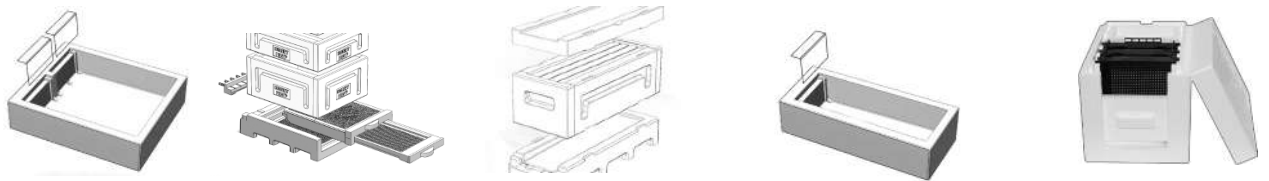
- PRODUCT OVERVIEW 3
- BOX ASSEMBLY 4
- FEEDERS 6
- ROOFS 7
- BOTTOMS 8
- POLLEN TRAP 10
- NUCS 12
- SAMPLE CONFIGURATIONS 13

PRODUCT OVERVIEW

Here's a complete summary of our hive products. We provide also spare parts for our hives.



Category	ROOF	BROOD	SUPER	FLOOR
Available Variant	- Wide Roof - Narrow Roof	Multiple sizes	Multiple sizes	- Mesh Bottom - Ventilated Bottom - Thermal Bottom
Additional Information				Plastic Mesh is default (Mesh & Ventilated Bottom)
Optional Accessories	Inner covers: - Matt Plastic Board - Thick Clear Plastic Board - HDF Board			- Alloy Mesh - Metal Grille - Closing Board - Mouse Guard - Entrance Reducer



Category	FEEDER	POLLEN TRAP	NUC BOXES	NUC PARTS	MATING HIVE
Available Variants			- Brood Box - Super Box	- Floor - Roof - Feeder 5 liter	
Additional Information		Integrates with the Ventilation Bottom	Two nucs side by side match with normal sized boxes.	Aluminium mesh is default	Three plastic frames included.
Optional Accessories				- Floor closing board	Additional frames available.

BOX ASSEMBLY

All broods, supers and nucs are delivered with the frame runners that protect edges from the frames and make cleaning easier. Boxes are easy and quick to assembly.

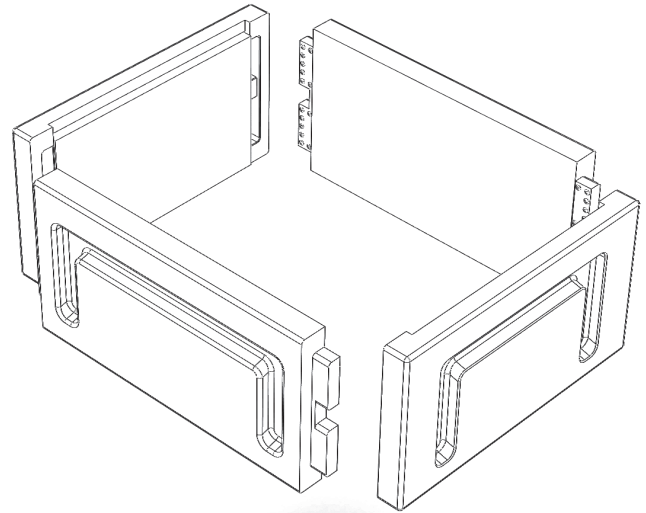
TOOLS NEEDED



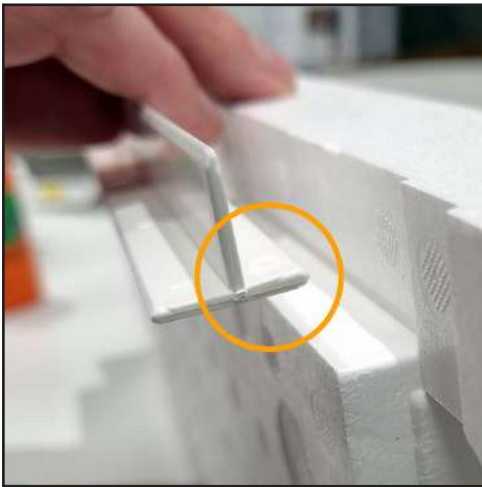
Polyurethane glue



Water spray bottle

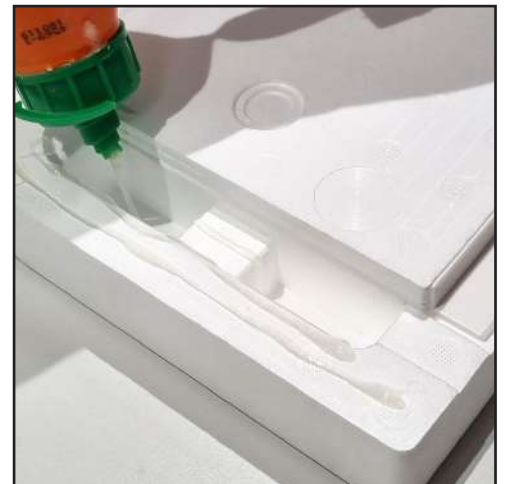


HOW TO DO IT



1. Push the plastic frame runners into the grooves on the end pieces of the hive. One edge is thicker and that is supposed to go inside the groove.

2. Add PU glue, Cascol for example. Don't use too much glue, just enough to cover all joint surfaces.





3. Moisten the surface with a slight spray of water. The moisture activates the glue.

4. Assemble the box. Push the parts together and tap them with a hand to make sure the joints are tight.



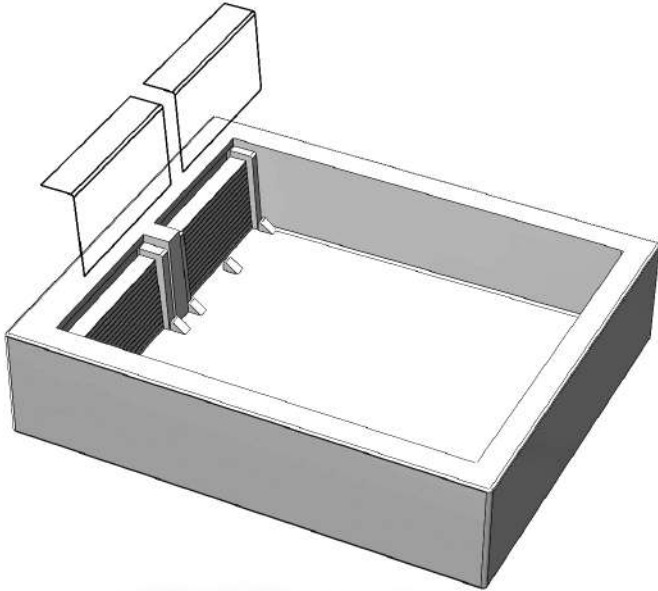
5. After the glue has dried, cut off the excess glue. If desired, the hive can be painted. Painting improves the weather resistance and makes cleaning easier. Before painting the whole body, apply a test paint to a small area just to make sure the polystyrene doesn't react with the paint. Do not paint the inner surfaces!

- ! Note: Nuc walls are not compatible with broods and supers.
- Don't mix the wall pieces.

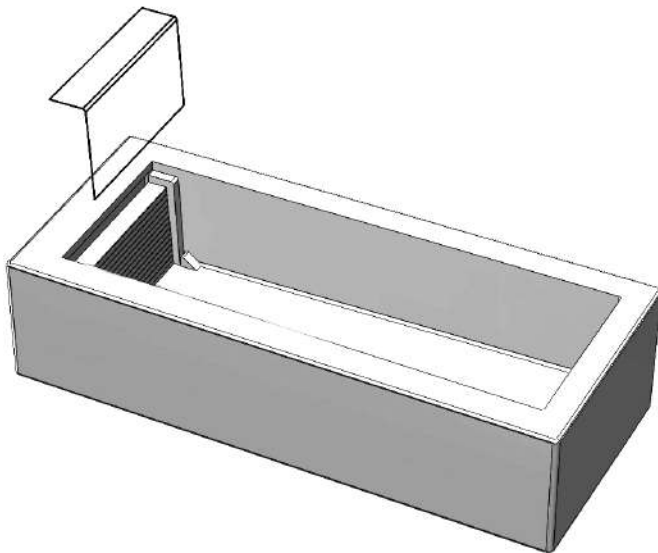
FEEDERS

Both feeders, 5 & 15 liters, consist of feeder box and one or two transparent plastic glasses. Smaller has one, larger has two glasses. The five liter model is a nuc feeder.

Install the feeder directly under the roof. The bees have an access to the feeder from inside the hive.



15 L FEEDER



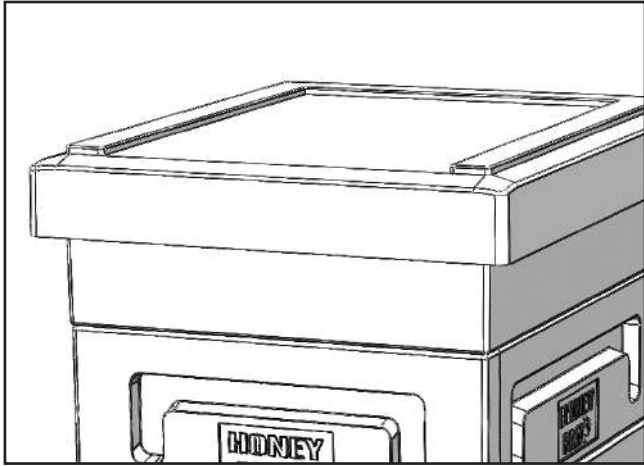
5 L FEEDER

Tips for assembling

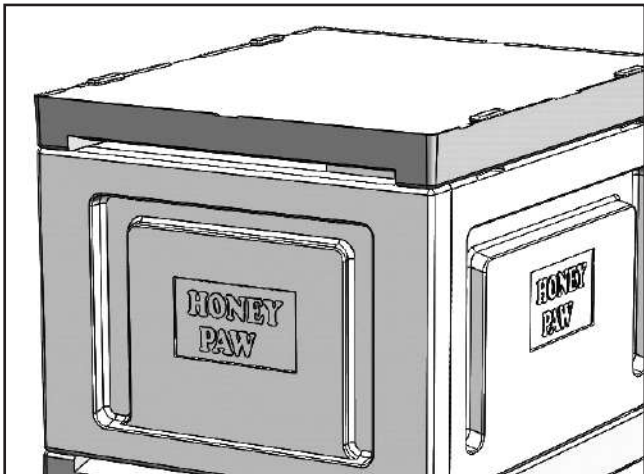
i Install the plastic glasses carefully. Make sure the glass is properly set into the feeder's slots.

ROOFS

Honey Paw has two different roof variants, narrow and wide roof. Wide roof is the usual choice, but the narrow roof allows easier transporting. It is exactly as wide as the other hive parts and therefore it doesn't have as large foot print as the wide floor has. The wide roof protects better from the weather and that's why we recommend using narrow lid only while transportation.



WIDE ROOF



NARROW ROOF

i Recommended Accessories

We recommend using inner cover between the roof and the box. The cover prevents bees sealing the roof to the box. Propolis sealed inner cover removal is easier.

Following inner covers are available:

- Thin Matt Plastic Board
- Thick Clear Plastic Board
- HDF Board



Especially when using the hives on harsh and windy climate, it's recommendable to tie the hives with straps. If you need some extreme protection from falling, place the hive on the pallet and attach the hive to the pallet with the strap.

BOTTOMS

Honey Paw has three different floors: Mesh Bottom, Ventilated Bottom and Thermal Bottom. The Mesh Bottom is the all-around choice and it's customizable with three different meshes. The Ventilated Bottom has even better ventilation design and our Pollen Trap can be attached to it. The Thermal Bottom is focused to the Northern climates and therefore it keeps the hive warm in winter.

MESH BOTTOM




The Mesh Bottom is delivered with the selected mesh option. The plastic mesh is the basic choice and it functions just fine. However, we offer also more durable options. The aluminium mesh is lightweight but much more durable than the plastic.

In 2022 we are also launching third option for this bottom, a metal grille. It has superior features compared to the other options. It's very robust, easy to clean and it doesn't require gluing.

A closing board is also available!



i Tips for assembling

 When using plastic or aluminium mesh, add a small amount of glue to each corner of the mesh. Gluing keeps the mesh in place. Use polyurethane glue for example.

VENTILATED BOTTOM




The Ventilated Bottom is delivered in three parts: floor body, ventilation board and mesh.

The mesh has options similar to Mesh Bottom. Plastic, aluminium and metal grille. The plastic mesh consists of two plastic grilles.

The ventilation board can be flipped upside down to gain some extra space below the frames. In practice there is no need for that, and actually keeping the board in upper position prevents the bees building burr comb.

i Tips for assembling

 When using plastic or aluminium mesh, add a small amount of glue to each corner of the mesh. Gluing keeps the mesh in place. Use polyurethane glue for example. The plastic mesh is delivered in two pieces. The mesh has small pins which locate the corresponding gaps on the the other piece.

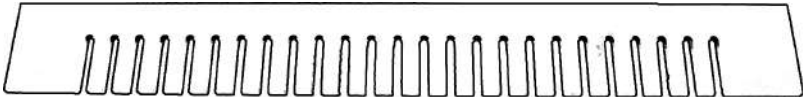
THERMAL BOTTOM



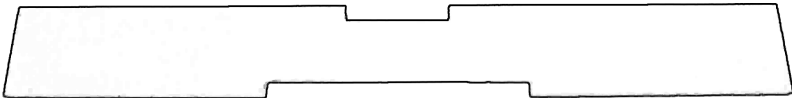
Thermal Bottom consists of one solid floor piece. The floor is slightly tilted towards the entrance.

OPTIONAL BOTTOM ACCESSORIES

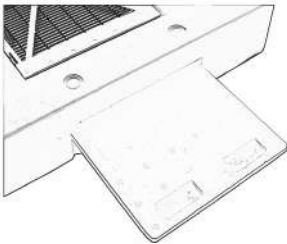
Mouse Guard



Entrance Reducer



Closing Board
(for Mesh Bottom)



POLLEN TRAP

The Pollen Trap is very efficient and easy way to collect pollen. As the trap is located under the brood chamber, it's protected from the weather conditions. The trap is used with the Ventilation Bottom and it replaces the ventilation board. It doesn't affect to the hive entrance and it's designed to maintain a good ventilation inside the hive.

The Pollen Trap is delivered in multiple pieces and requires some assembling.



TOOLS NEEDED



Scissors or knife



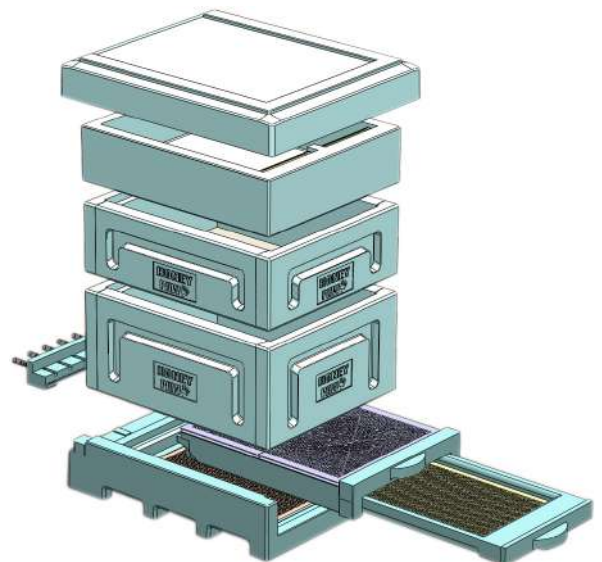
Polyurethane glue or silicone sealant



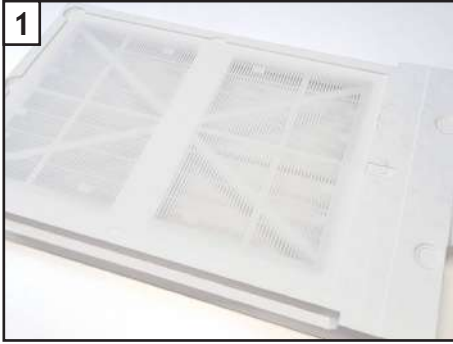
Screwdriver

WHAT'S INSIDE THE PACKAGE

- Pollen Trap body
- Pollen Trap tray
- Collector meshes (4 pcs)
- Trash collector meshes (2 pcs)
- Pollen mesh
- Entrance block
- Plastic hose for the entrance block
- Screws (8 pcs)



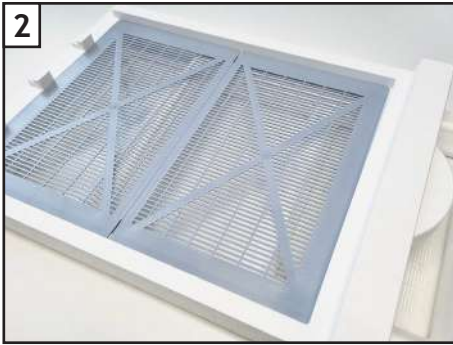
POLLEN TRAP ASSEMBLY - HOW TO DO IT



1. Flip the pollen tray upside down and glue the white mesh underneath

2. Connect the trash collector meshes and glue it to the trap body.

3. Connect the four collector meshes as shown in the photos below. Place them on top of the collector body and screw the meshes in place.



The red mesh pieces are installed two pieces side by side in two layers. The mesh pieces have pins and slots underneath and they fit together easily. Also the sides have pins and slots to secure the joint.

4. Fasten the red mesh to the trap body using eight screws provided. Do not overtighten.



5. Cut seven equal stubs from the hose. Appropriate length is ca. 35-40 mm. Insert the hose stubs into the entrance block holes. Use some glue to secure the fastening.

6. If desired, paint the Pollen Trap's exterior surfaces.

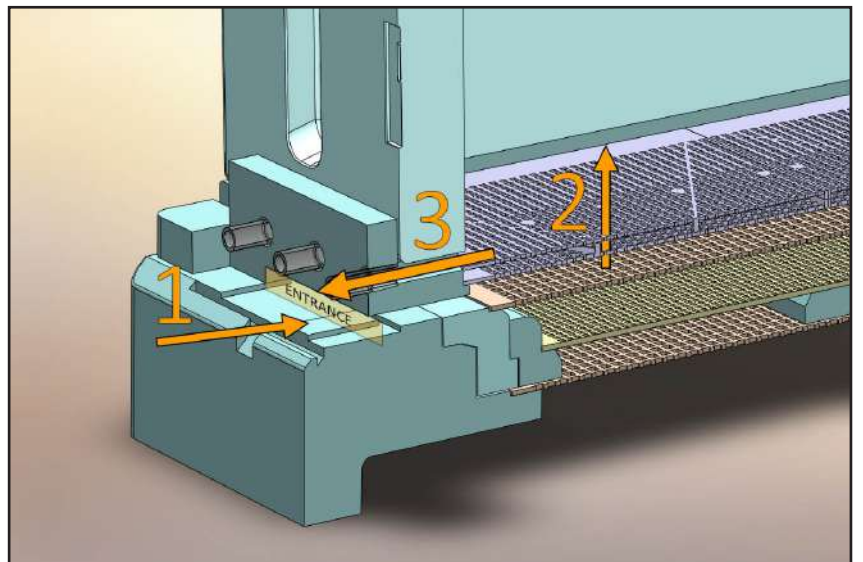
HOW DOES IT WORK

1. The bees fly inside underneath the entrance block.

2. While crawling through the collector meshes, the pollen drops down through the trash collector.

3. Bees move outside through the hoses. They are not able to entry through them.

4. The pollen is collected by opening the tray from behind the hive.

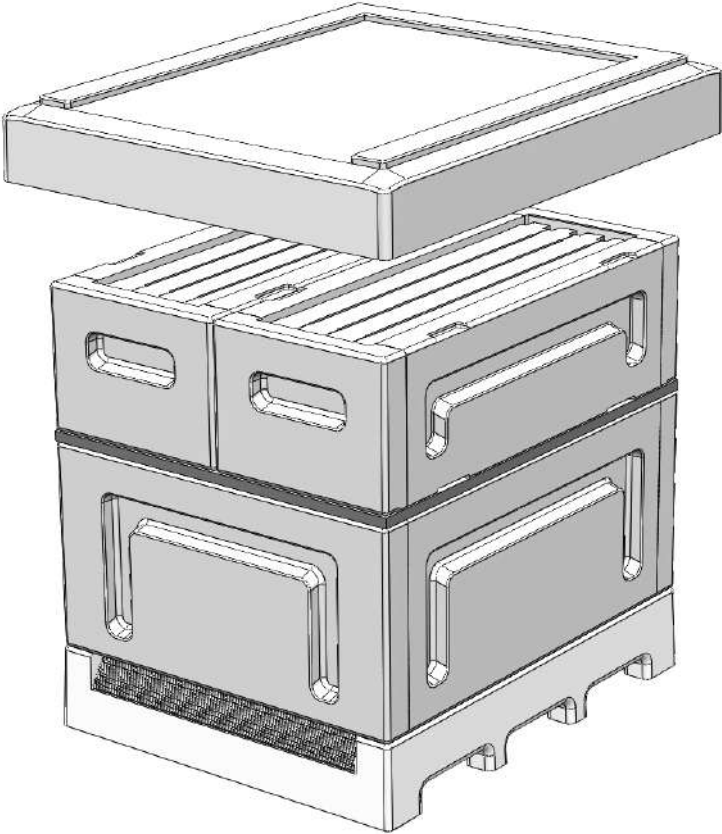


NUCS

The nucs are assembled in the same way as broods and supers. Please view their assembly instructions.

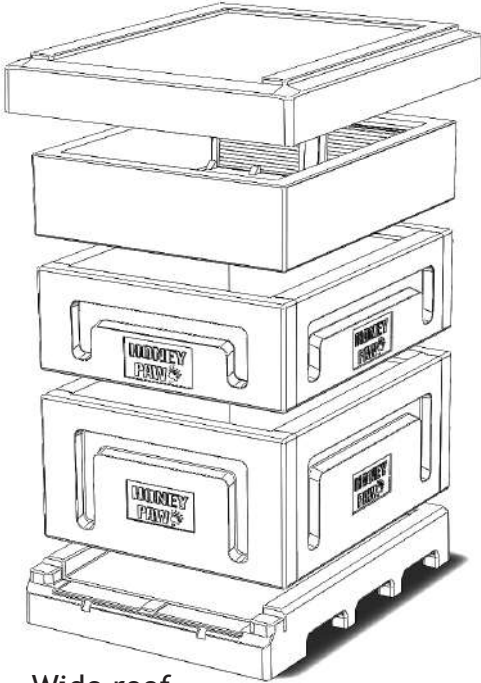
Nucs are available only with the mesh floor.

The nucs are dimensioned to fit perfectly with the other hive parts. Two nucs side by side fit exactly above one brood or super box.

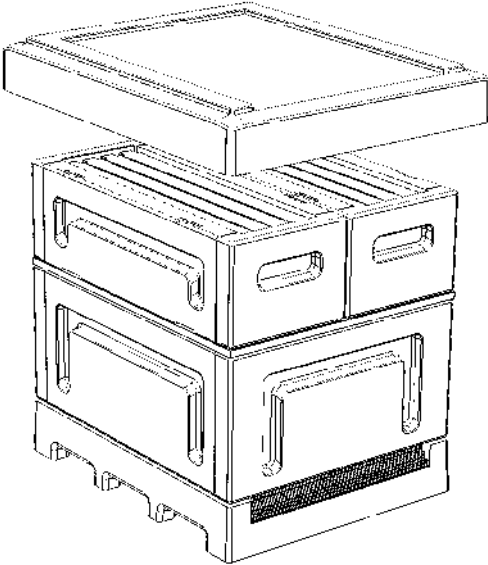


SAMPLE CONFIGURATIONS

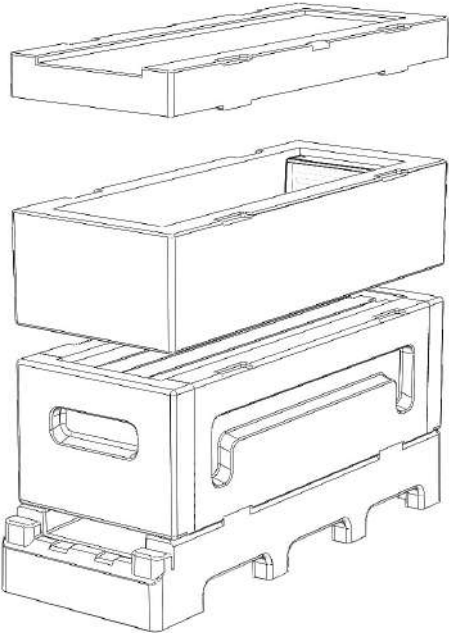
Below are some common configurations how to start stacking our hive parts.



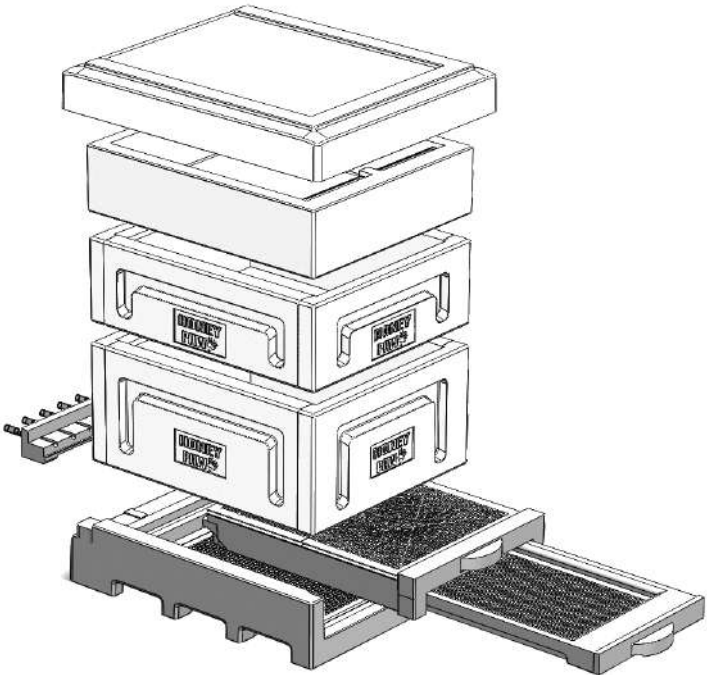
Wide roof
15 l feeder
Super
Brood
Thermal Bottom



Wide roof
2 nucs
Brood
Mesh Bottom



Nuc roof
Nuc (5 l) feeder
Nuc body
Nuc floor



Wide roof
15 l feeder
Super
Brood
Ventilation Bottom & Pollen trap